

DesignLinks 1 & 2 Mat & Frames product specification

Contents:

I.	Specification introduction	Page 1
II.	3 part specification	Pages 2-4
III.	Technical drawings and properties	Pages 5-6
IV.	Aluminum Trim	Page 7

PRODUCT PRESENTATION

Perfect for upscale entryways, patented and patent pending DesignLinks combines our unique open-weave, grid-rib design with alternating carpet strips. **DesignLinks 1** features permanent carpet strips, **DesignLinks 2** features easy-to-replace Velcro backed carpet strips. The resulting grid is the most effective of its kind, trapping dirt and moisture, while maintaining an upscale appearance. The grid-like top surface ribs scrape shoe bottoms with every step, while the open-weave design allows dirt contaminants to collect beneath the surface. Additionally, the carpet strips provide drying action, helping to reduce slips and falls within the building.

DesignLinks has the option of being surrounded by aluminum frames or of custom sized mat panel sections contained within anodized aluminum frames. Each layout is custom-engineered to accommodate doors and specific floor plans.

USES and APPLICATIONS

DesignLinks is ideal for entryways where an upscale appearance and maximum effectiveness is desired. DesignLinks is ideal for use in all high traffic facilities, including medical, educational, office buildings, institutional buildings, banks, retail outlets, including those with shopping carts, and apartment buildings.

INSTALLATION OPTIONS

DesignLinks can be surface mounted or recessed into the floor. The mat cavity is .5" high and can be surrounded by anodized aluminum trim piece. (See page 7). For recessed applications, the well should be .5" deep. In all cases, the mounting surface should be a hard, smooth surface.

MATERIALS and FINISHES

The DesignLinks mat panel consists of flexible, injection-molded, PVC mat panels can be surrounded by 0.75" x 0.5" anodized aluminum frames and or 2" x 0.5" anodized aluminum ramps. The mat surface features 1.125" horizontal carpet strips every 1.25". **DesignLinks 1** have carpet strips that are secured permanently and **DesignLinks 2** has easily replaceable Velcro backed carpet strips. Each order is custom-engineered to fit the application and area. Standard colors for vinyl include Black, Gray, Brown and Green. Standard colors for carpet strips are Charcoal, Gingerbread and Emerald. Customization options include custom-colored mat panels, frames and ramps.

CODES and CERTIFICATIONS

DesignLinks features a 3 year prorated warranty. Call for details.

ENVIRONMENTAL DATA

Section material is 100% PVC
Section can be recycled.
Frame can be recycled

OPERATION and MAINTENANCE

- 1.) Use a wet/dry vacuum over the DesignLinks to prevent dirt from building underneath.
- 2.) To bring back the panels' original luster, regularly mop the traffic surface, using a neutral cleaner, mop (left to right) parallel to the grid and the carpet.
- 3.) Lift the DesignLinks panels and use a wet/dry vacuum or mop to remove all dirt and debris from the empty wells.

SPACELINKS ENTERPRISES FLOOR MATS & FRAMES

SPACE LINKS DIVISION BOARDMAN MOLDED PRODUCTS, INC.

Three part specification Section 12484 - Entrance Systems

PART 1 - GENERAL

1.01 Summary

A. This section includes the following types of entrance flooring systems:

1. Floor Mats & Frame Assemblies
2. Floor Entryway Systems & Frame Assemblies

1.02 References

- A. American Society for Testing and Materials (ASTM)
- B. The Aluminum Association
- C. Floor mats frames and floor entryway systems shall be compliant with the requirements of the Americans with Disabilities Act (ADA).

1.03 Submittals

- A. Product data for each type of floor entryway system and frame specified, including manufacturer's specifications and installation instructions, details of construction relative to adjacent materials, dimensions of individual components, profiles and finishes.
- B. Shop drawings in sufficient detail showing layout of panels and frame specified including manufacturer's specifications and installation instructions, details of product construction, product construction relative to adjacent materials, direction of traffic, profiles, anchors and accessories.
- C. Samples for verification purposes: Submit an 8" x 8" assembled section of floor system and frame members or carpet insert with selected material and colors for exposed floor system, frame and accessories required.
- D. Maintenance data in the form of manufacturer's printed instructions for cleaning and maintaining floor system.

1.04 Quality Assurance

Refer to material technical specification information chart below. (Page 5)

1.05 Delivery, Storage and Handling

- A. Deliver materials to the project site ready for use and custom fabricated in as large sections and assemblies as designed, in unopened original factory packaging clearly labeled to identify manufacturer. All vinyl sections must lie flat for a minimum 24 hours at room temperature before installation.

1.06 Project Conditions

- A. Field measurements: Check actual openings for systems by accurate field measurements before fabrication. Record actual measurements on final shop drawings. Coordinate fabrication schedule and exact dimensions with construction progress and factory to avoid delay of work.

- B. For recess application coordinate frame installation with concrete construction to ensure recess and frame anchorage are accurate. Defer frame installation until building enclosure is complete and related interior finish work is in progress.
- C. For surface application a frame of beveled threshold ramps and stringers are anchored to the floor with the provided anchor expansion bolts. Defer frame installation until building enclosure is complete and related interior finish work is in progress.

PART 2 - PRODUCTS

2.01 Manufacturers

- A. Drawings and specifications are based on manufacturer's literature from Space Links International, 1110 Thalia, Youngstown, OH 44512; telephone: 800-233-4575, 330-788-2400, fax: 330-788-9665, <http://www.spacelinks1.com>, unless otherwise indicated. Other manufacturers must comply with the minimum levels of material and detailing indicated on the drawings and specified herein.

2.02 Materials

- A. Aluminum ASTM B 221, alloys 6063-T5, 6052-T5, for dividers, stringers and ramps
- B. Anodized Aluminum: Clear and Selected Standard Colors meeting ASTM B 221 standard.
- C. Injection molded PVC

2.03 Floor Grid and Frame Assemblies

All grids are patented or patent pending, both domestically and international.

- A. **DesignLinks aluminum frame** shall be anodized extruded 6063-T5 aluminum alloy, fastened to the floor using the anchor bolts supplied by the manufacturer. Stringers, dividers and ramps will be predrilled for ease of installation as offered by manufacturer. Frame colors shall be Bronze, Bright Gold, Black and Clear Anodized Aluminum (*select one*).
 - 1. **Recessed Frame** shall be anodized extruded 6063-T5 aluminum alloy stringers and dividers of 0.5" wide exposed surface and depth of 0.5". Frame colors shall be Bronze, Gold, Black and Clear Anodized Aluminum (*select one*). See attached Aluminum Trim page 7 for options.
 - 2. **Surface mounted frame** shall be anodized extruded 6063-T5 aluminum alloy ramps surrounded by 2" wide exposed surface and depth of 0.5", stringers and dividers of 0.75" wide exposed surface and depth of 0.5". Frame colors shall be Bronze, Gold, Black and Clear Anodized Aluminum (*select one*). See attached Aluminum Trim page 7 for options.

2.04 Floor Mat Panel Sections

- A. **DesignLinks** patented panels shall be manufactured from flexible PVC in an open-weave, heel resistant, grid-rib design that allows dirt, water, etc., to be easily scraped from foot traffic, fall through floor grid and be contained. The design of the sections are nominal .250" square ribs, with nominal .230" x .312" openings, over .250" half rounds 1.250" apart. The surface consists of nominal openings with three repeating top surface ribs and openings, with 1.187" wide carpet strips. **DesignLinks 1 includes permanent carpet strips. DesignLinks 2 includes Velcro replaceable carpet strips.** The bottom patented Power Pegs combined with the patented mat retainer, offers additional support and longevity. DesignLinks colors for vinyl shall include Black, Gray, Green and Brown. Standard colors for carpet strips are Charcoal, Emerald and Gingerbread.

(Graphic technical specification detail information can be found on page 5 and 6)

PART 3 - EXECUTION

3.01 Examination

- A. Verification of conditions:** Examine areas and conditions under which work is to be performed and identify conditions detrimental to proper or timely completion.

1. Do not proceed until unsatisfactory conditions have been corrected.

3.02 Preparation

- A.** Manufacturer shall offer assistance and guidance to ensure a proper installation.

3.03 Installation

- A.** Install the work of this section in strict accordance with the manufacturer's recommendations.
- B.** Coordinate top of panel/frame surfaces with bottom of doors that swing across to provide ample clearance between door and quad/grid.
- C.** Defer installation of floor panels/frames until time of Substantial Completion of Project.

3.04 Cleaning

- A.** Clean the mat panel and frame surface and recessed well with wet/dry vacuum and mopping as frequently as possible to reduce the effects of accumulated soiling that may hinder performance and lifetime.

3.05 Protection

- A.** After completing required frame installation and concrete work, provide temporary filler of plywood or fiberboard in recesses, and cover frames with plywood protective flooring. Maintain protection until construction traffic has ended and Project is near time of Substantial Completion.

Technical Support

Test Results – Properties and Standards

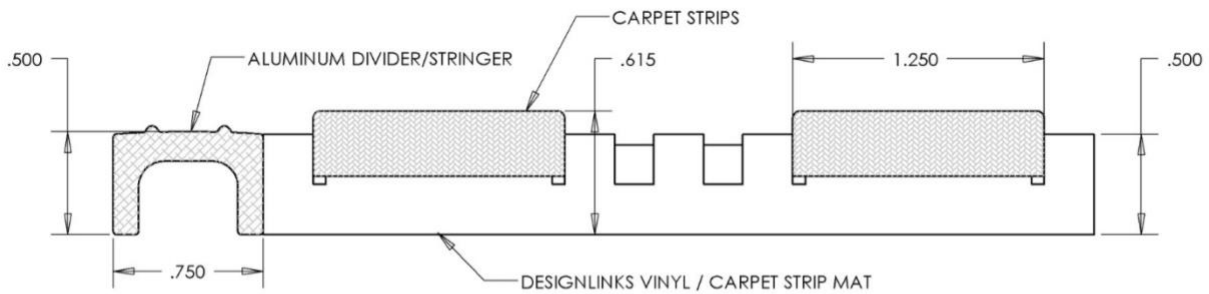
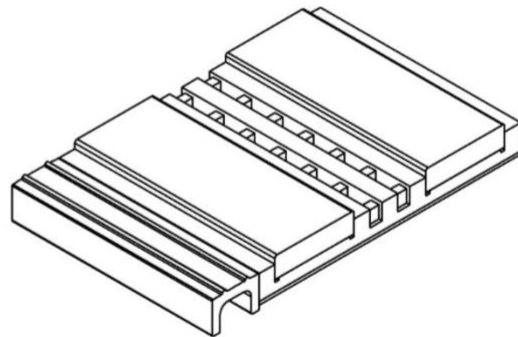
Please call our Customer Service Department for additional information.

VINYL PROPERTIES	
Thickness	Mat cavity .5”
Hardness, Shore ‘A’, ASTM D 2240-86	85
Specific Gravity, STM D 792	1.34
Tensile Strength, ASTM D 412, Die C	2640 psi
Elongation % at Break, ASTM D 412 Die C	365 psi
100 % Modulus, ASTM 412 Die C	1339 psi
Tear Strength, ASTM D 624	362 psi
Low Temperature Brittleness, ASTM D 11	-37°C
Static Coefficient of Friction, ASTM D 2047	Dry Leather = .79 Wet Leather = 1.04 Values Greater than .5 are considered slip-resistant

ALUMINUM PROPERTIES	
Optional Aluminum Frame Composition	6063 – T5
Lineals, Dividers and Ramps	Outdoor, all-weather anodized aluminum
Colors Available (See trim page)	Clear, Black, Bronze, Gold

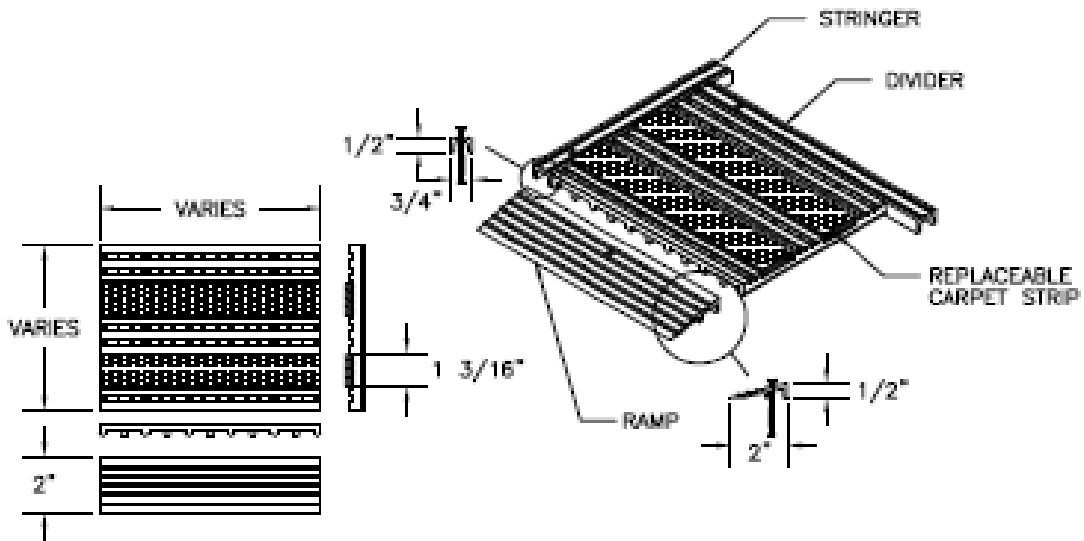
FIBER PROPERTIES	
2.05 Carpet Insert Options DesignLinks 1 Permanent DesignLinks 2 Velcro replaceable	Carpet shall be Polypropylene fiber in dense cut pile construction, to maximize scraping action, crush resistance and soil retention.
Face Weight	26 oz. Sq. Yard
Denier	2750
Fiber	Engineered 100% polypropylene blends
Carpet Insert Colors	Charcoal, Gingerbread and Emerald
SpaceLinks are covered by these Patent Numbers: 4,796,399 / 5,882,764 / 5,958,538 /5,992,105 / 6,042,915 / 6.068,908. Other domestic and international patents pending.	

ZONE		REVISIONS		
REV.		DESCRIPTION	DATE	APPROVED



PROPRIETARY AND CONFIDENTIAL
THE INFORMATION CONTAINED IN THIS DRAWING IS THE SOLE PROPERTY OF BOARDMAN MOLDED PRODUCTS. ANY REPRODUCTION IN PART OR AS A WHOLE WITHOUT THE WRITTEN PERMISSION OF BOARDMAN MOLDED PRODUCTS IS PROHIBITED.

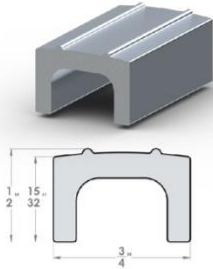
UNLESS OTHERWISE SPECIFIED:		NAME	DATE	SPACELINKS INTERNATIONAL
DIMENSIONS ARE IN INCHES TOLERANCES: FOUR PLACE DECIMAL X THREE PLACE DECIMAL X TWO PLACE DECIMAL X FRACTIONAL X		D NEILL	05/17/05	
MATERIAL:		ENGINEERING		TITLE:
NEXT ASSY		PRESIDENT		DESIGNLINKS SYSTEM PROFILE
USED ON		ENGINEERING		
APPLICATION		MANUFACTURING		SIZE DWG. NO.
DO NOT SCALE DRAWING		QUALITY CONTROL		A
		SALES		REV.
		PROCESSING		
		COMMENTS:		DRAWN BY: DAVE HELL
				SHEET 1 OF 1



Aluminum Trim

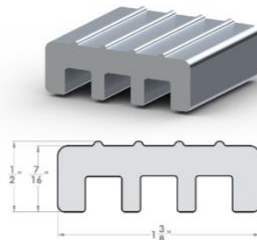
Dimensions in names may refer to nominal height of related flooring, not actual dimension of trim piece.

U-Divider 1/2"



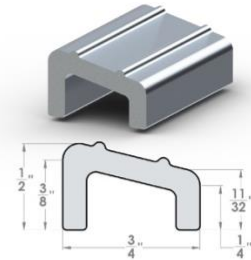
Satin, Black, Bronze, Brass

HD Divider 1/2" x 1 3/8"



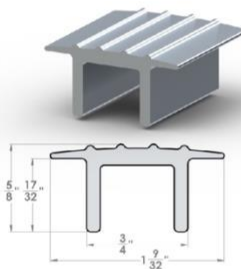
Satin

Transitional Divider 1/2" to 1/4"



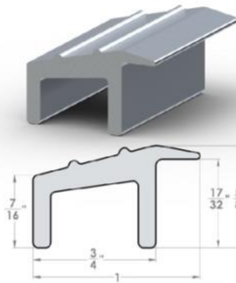
Satin

TopHat Divider 1/2"



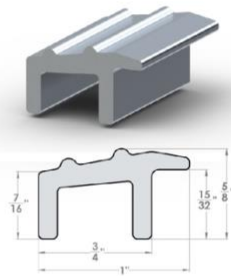
Satin, Black, Bronze

DL Transitional Overhang 1/2" to 7/16"



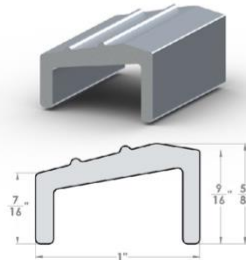
Satin

PL Transitional Overhang 1/2" to 7/16"



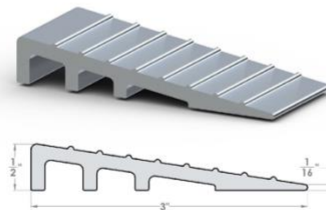
Satin

DL PL Transitional Divider 1/2"



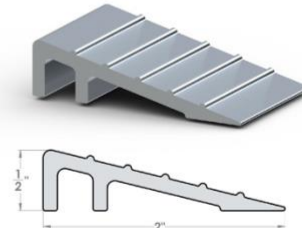
Satin

3" HD Ramp 1/2" x 3"



Satin

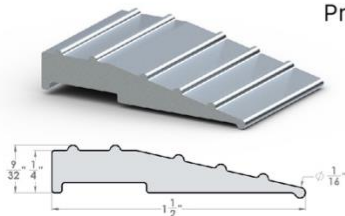
2" Ramp 1/2" x 2"



Satin, Black, Bronze

Pro Ramp 1/4" x 1 1/2"

Satin



Pro Divider 1/4" x 3/4"

Satin

